

TECHNICAL BULLETIN

Document: TB_T014_014

Date: 28/05/15

Subject: Anello cavo di ritenzione Tether ring

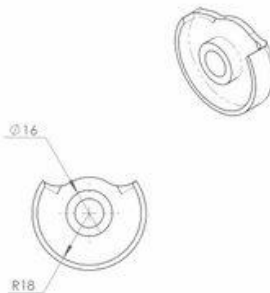

Reference:

Table	Item	Code
01	07	161407014
07	05	161407014
11	07	161407014

Accomplishment: R2_2015

È obbligatorio sostituire il componente 161407104 (Anello cavo di ritenzione) con il nuovo modello 161507014.

It is compulsory to replace item 161407014 (Tether ring) with the new model 161507014.

FIRST ANGLE PROJECTION		IF IN DOUBT - ASK	
DO NOT SCALE			
CALCULATED	CHK	REVISIONS	APPROVED
			
FILE			
ISSUE			
CHANGE			
DRN APP DATE			
Open Set For ISO 2768-M +0.06 mm +0.08 +0.06 mm -0.08 mm +0.11 +0.10 mm -0.10 mm +0.15 +0.10 mm -0.10 mm +0.15 +0.10 mm -0.10 mm +0.15	Open Open Tolerance ISO 2768-M	Sharp Edges ISO 6184 R.02 0.3mm	
<small>AL DISEGNIATI E REVISIONI: Modifiche e varianti autorizzate</small>			
<small>This Drawing is property of TATUUS and must be treated as confidential. Reproduction of this drawing for any part thereof or incorporation of its content is prohibited without the written authority of TATUUS SpA.</small>			
MATERIAL: Steel Rm = Mpa H =	SURFACE TREATMENT:	FINISH:	QTY x CAR:
ORIGIN: L. DATE: 04/11/14 PROJECT:	DRAWN: L. ORLANDI L. TITLE:	CALCULATED: - APPROVED: - DATE: -	SCALE: 2:1 SHEET: 1 OF 1 DRG SIZE: A4 ISSUE:
16	Tether Ring	16-15-07-014	-