

## TECHNICAL BULLETIN

**Document:** TB\_T318\_004

**Date:** 09/04/2019

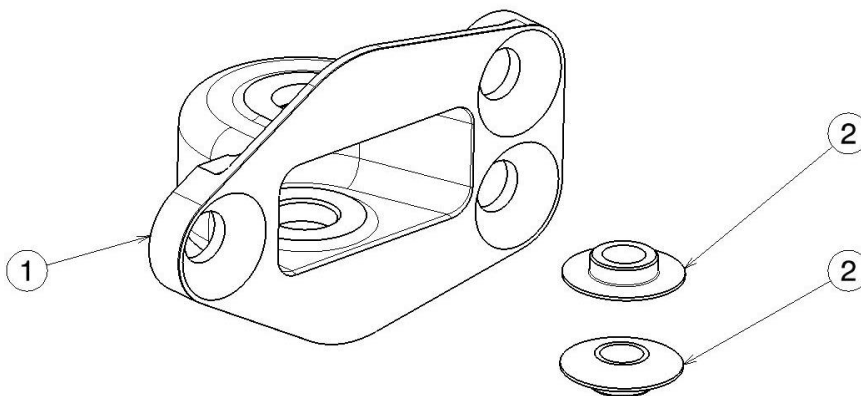
**Subject:** Front suspension bracket

Reference:	Table	Item	Code
	10C	4	24 10 031

**Accomplishment:** R1/2019

Tatuus is providing a replacement for the front bottom suspension brackets 24 10 031. The new item engraved with pn. 24 10 043 (or 24 10 044) must replace the existing pn. 24 10 016.

Part will be supplied as replacement for old items before Race #1 event.



We remind you that the tightening torque of the fixing bolts (UNI5933-M8x20) must be set at 35Nm: