

TECHNICAL BULLETIN

Document: TB_T318_017_Oil_swirl_upgrade

Date: 03/09/2019

Subject: Oil swirl upgrade

Reference:	Table	Item	Code
	42A-ENGINE LUBRICATION A.R	3	21 16 20 001
	42A-ENGINE LUBRICATION RENAULT	4	21 16 20 001

Accomplishment: Immediate

Teams are allowed to apply two rivets in order to strengthen the bonding between the swirl pot parts. Please refer to the figure below, the relevant rivets are shown.

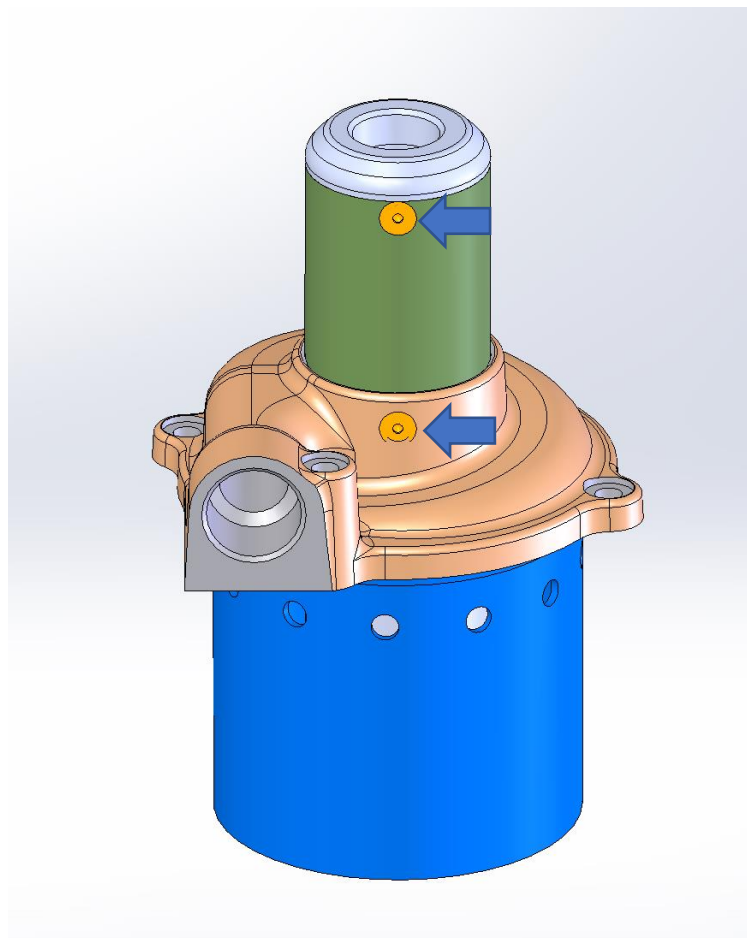


Figure 1

Necessary parts:

- rivets: blind, 120° countersunk head, sleeve \varnothing 4.0 mm, shank 11.0 mm. Sleeve material Aluminium
- glue: 3M DP 460.

Procedure:

In order to apply the rivets, the oil swirl pot assembly must be drilled. Please find in the drawings below dimensions in order to place the rivets in the correct position.

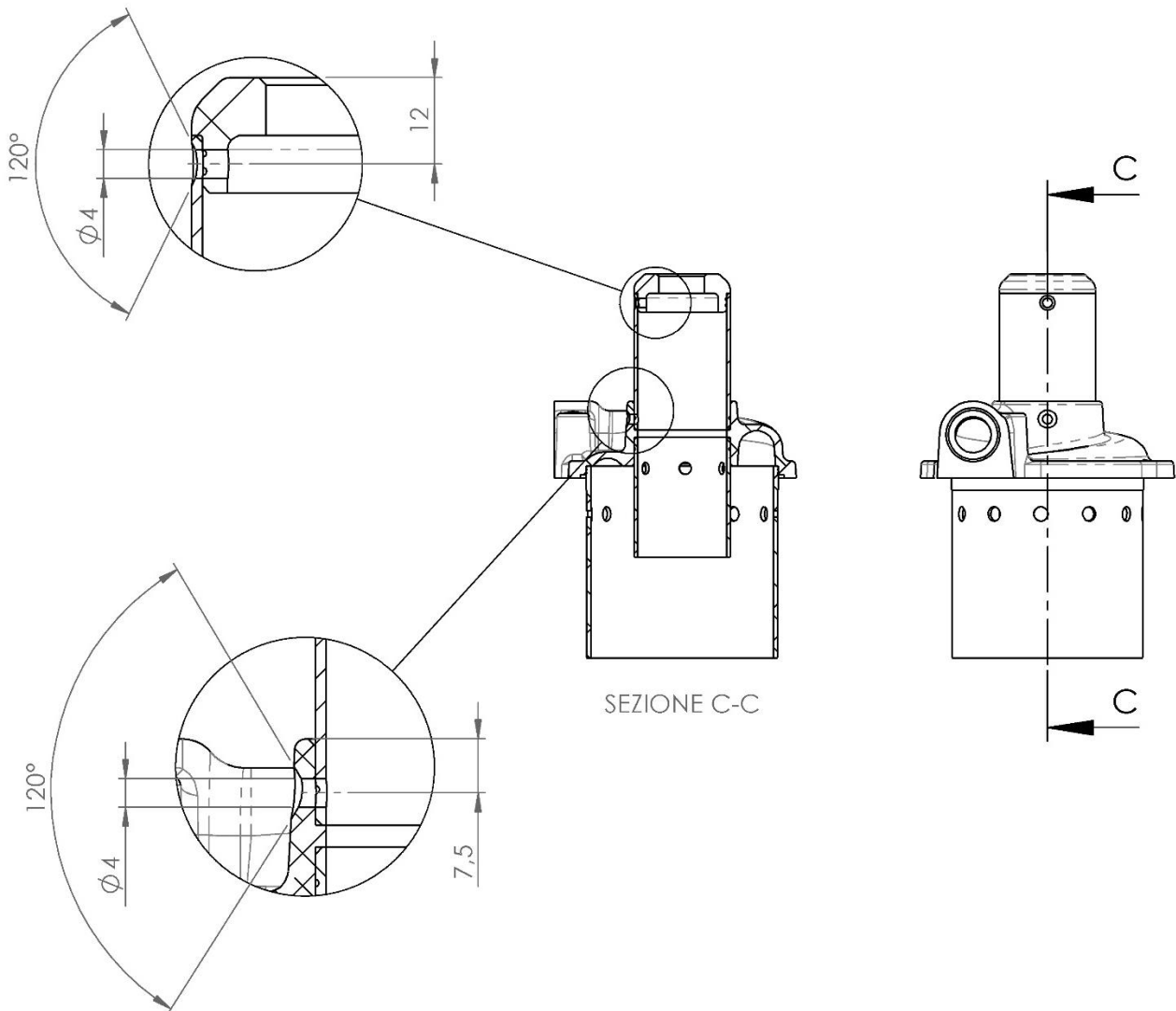
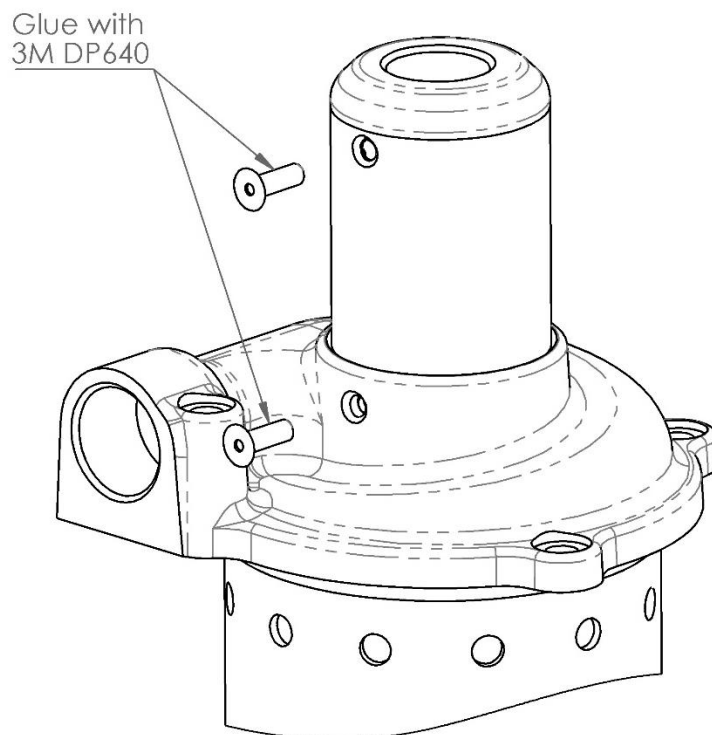


Figure 2: position of the countersunk holes on the oil swirl pot assy for blind rivet nut application

Please pay attention to the depth of the countersink. It should be deep enough to assure that the head of the rivet is tangent to the surface. Please refer to the picture below



Please find below exploded view of the resulting assembly



In order to properly seal the rivet, it is recommended to apply DP460 glue onto the rivet surface and tip before installing it.