

TECHNICAL BULLETIN

Document: TB_F421_012_airduct_trim

Date: 09/12/2022

Subject: Lh airduct trimming guidelines

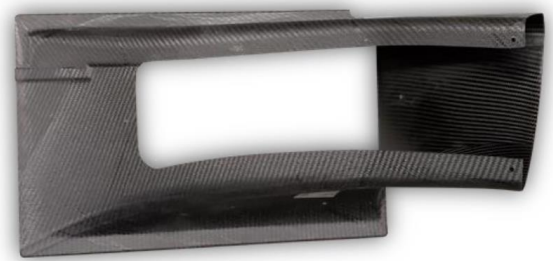
Reference: *PartClassification_T421_v.1.0.5.a*

Table	Item	Part number
02C-Bodywork	1	33-02-003

Accomplishment: **Immediate (mandatory starting from 2023 racing season)**

With the aim of increasing the airflow trough the engine bay, an aperture is necessary on the Lh airduct.

Please find below reference pictures for the airduct before and after trimming.



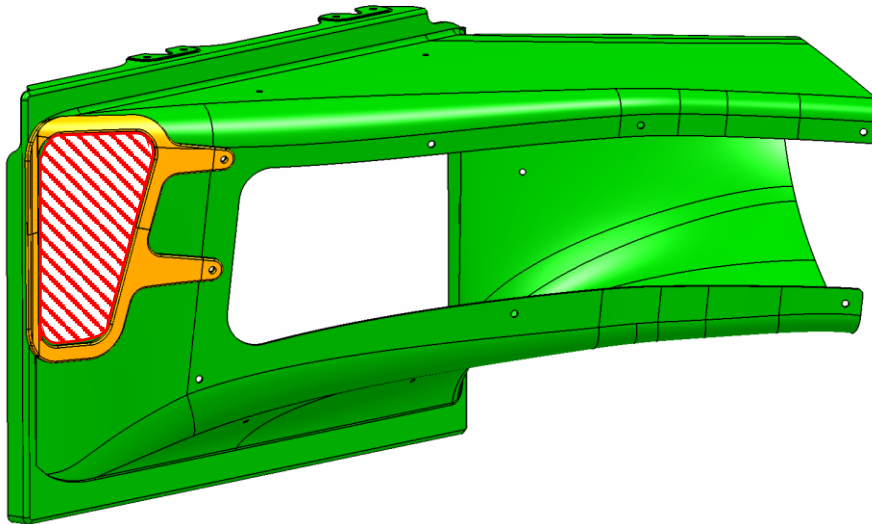
Picture 1: Lh sidepod before trimming



Picture 2: Lh sidepod after trimming

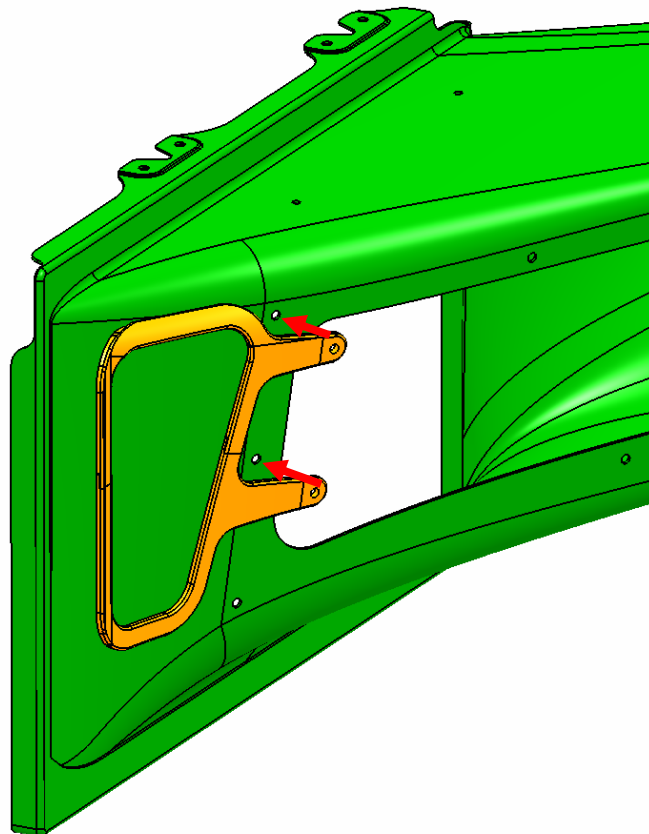
Already existing parts shall be trimmed by the end user, please find below guidelines for the trimming procedure.

With the aim of a trimming jig, identify the area to be removed and cut it. Please find reference in the picture below.



Picture 3: trimming Jig once fitted (in red is highlighted the area to be removed)

The jig features two reference holes to place it properly on the airduct.



Picture 4: trimming Jig fixing/reference holes

To get the trimming Jig please refer to Autotecnica Motori.
